

Power Supplies - Primary Switch Mode

Compact Size and Weight - High Efficiency



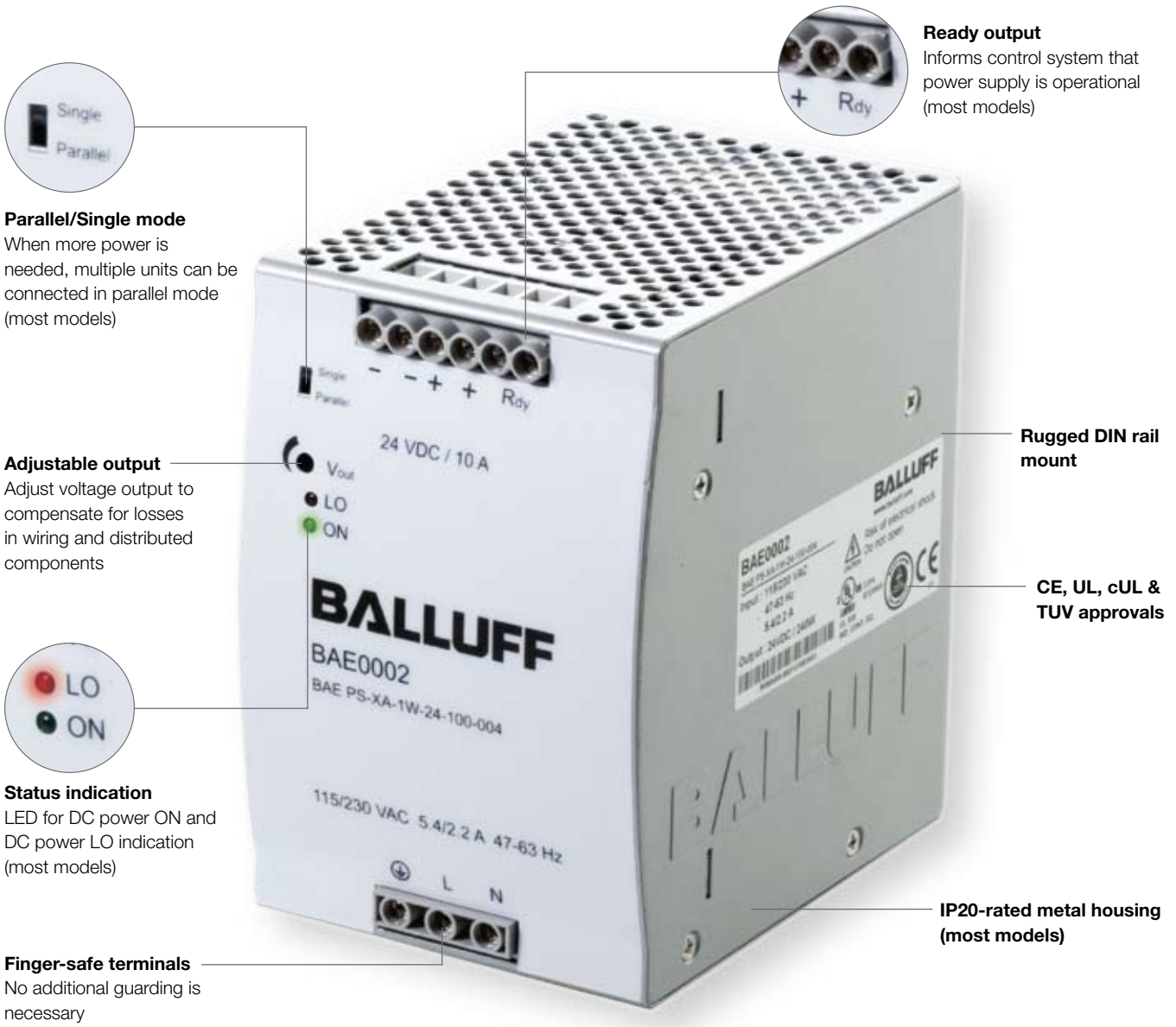
Balluff BAE Series DIN Rail Mount Power Supplies - Primary Switch Mode

The best selection for your general applications

All sensor applications have one thing in common – they need power supplies. Whether for a factory controller, an assembly or packaging line, or even robotic tooling, power supplies are needed that meet all the system requirements for power and approvals but still adapt to your equipment. The solution is the complete BAE series of power supplies from Balluff.

Balluff's BAE series represents a new family of single and 3-phase power supplies for DIN rails, ideal for universal use in industrial control cabinets and applications. Designed to industrial requirements and standards, the reliability of these new power supplies makes them a perfect addition to the Balluff line of top quality products.

- **Ultra reliable AC to DC conversion**
 Protects sensitive control electronics
- **Protects against unforeseen events**
 Built-in advanced overload, short-circuit and overvoltage protection
- **Complete range of models to choose from**
 One single model or a combination of models will meet your needs exactly
- **Clean, accurate power for the most demanding equipment**
 Load regulation to +/- 1% on all models, ripple/noise less than 50mV on most models
- **Long life for less system unplanned downtime**
 MTBF (mean time between failure) of over 210,000 hours/24 years while operating at published specifications for the duration



Parallel/Single mode
 When more power is needed, multiple units can be connected in parallel mode (most models)

Adjustable output
 Adjust voltage output to compensate for losses in wiring and distributed components

Status indication
 LED for DC power ON and DC power LO indication (most models)

Finger-safe terminals
 No additional guarding is necessary

Ready output
 Informs control system that power supply is operational (most models)

Rugged DIN rail mount

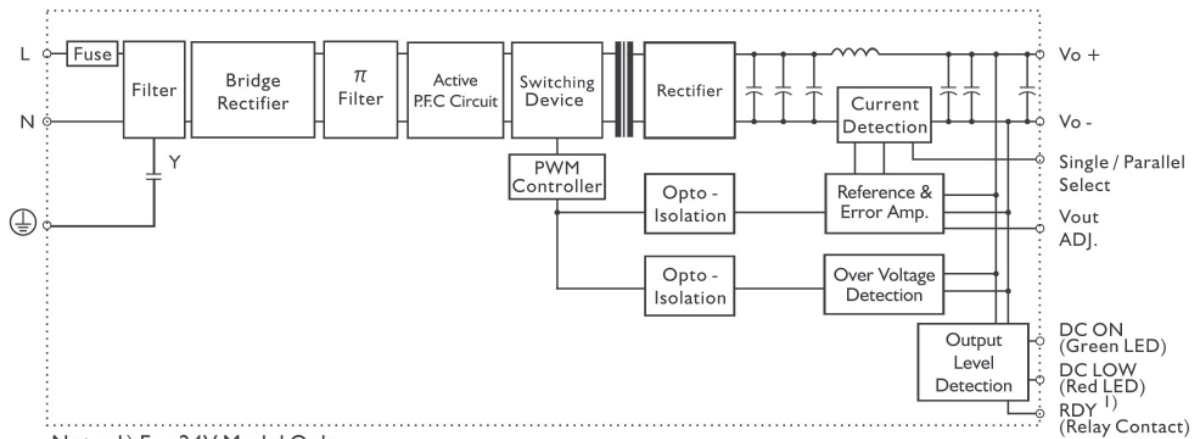
CE, UL, cUL & TUV approvals

IP20-rated metal housing (most models)

All Power Supplies have been intensively tested:
The best selection for your general applications

- CE conformance test
- TUV safety test and certification
- UL safety test
- Long term operation testing with switched load...

Typical Circuit Schematic



Control and Network Power

These power supplies were designed by Balluff with control products in mind, so you can be sure they will integrate perfectly with your control suite.

The BAE Series of ultra reliable power supplies come in a wide range of 24 V DC models with single or 3-phase inputs. With current ranges from 0.75 A (18 W) to 40 A (960 W), there is a size for most applications. But if more power is needed, connect multiple power supplies together (parallel mode) for additional current capacity.



Seamless Installation

Reliable power has never been this easy to install. It starts with convenient DIN mounting with Balluff's heavy-duty built-in mounting system. Screw terminals are orientated to allow AC power to enter from the bottom and DC power exist from the top. Finger-safe terminals require no additional guarding.

Balluff Primary Switch Mode Power Supplies

- **24V DC** output voltage
- Rugged DIN Rail Mounting
- IP20 Housing
- Adjustable Voltage
- Low Voltage LED
- UL, TUV & CE Approvals

The "Starter" Class

Single Phase
Plastic Housing



Order Code	Part Number	Input Voltage	Current	Total Output Power	Dimensions WxHxD
BAE0001	BAE-PS-XA-1W-24-007-001	90-265 VAC	0,75 A	18 W	23x90x114
BAE0004	BAE-PS-XA-1W-24-012-002	85-264 VAC	1,25 A	30 W	41x90x114
BAE0005	BAE-PS-XA-1W-24-025-002	85-264 VAC	2,5 A	60 W	41x90x114

The "Professional" Class

Single Phase
Metal Housing



Order Code	Part Number	Input Voltage	Current	Total Output Power	Dimensions WxHxD
BAE0006	BAE-PS-XA-1W-24-050-003	115/230 VAC	5 A	120 W	64x124x116
BAE0002	BAE-PS-XA-1W-24-100-004	115/230 VAC	10 A	240 W	86x124x116
BAE0003	BAE-PS-XA-1W-24-200-005	90-264 VAC	20 A	480 W	175x124x116

The "Power" Class

Three Phase
Metal Housing



Order Code	Part Number	Input Voltage	Current	Total Output Power	Dimensions WxHxD
BAE0007	BAE PS-XA-3Y-24-050-009	340-575 VAC	5 A	120 W	75x124x112
BAE0008	BAE-PS-XA-3Y-24-100-006	340-575 VAC	10 A	240 W	89x124x112
BAE0009	BAE-PS-XA-3Y-24-200-007	340-575 VAC	20 A	480 W	150x124x112
BAE000A	BAE-PS-XA-3Y-24-400-008	340-575 VAC	40 A	960 W	276x126x112

Compact Size and Weight - High Efficiency